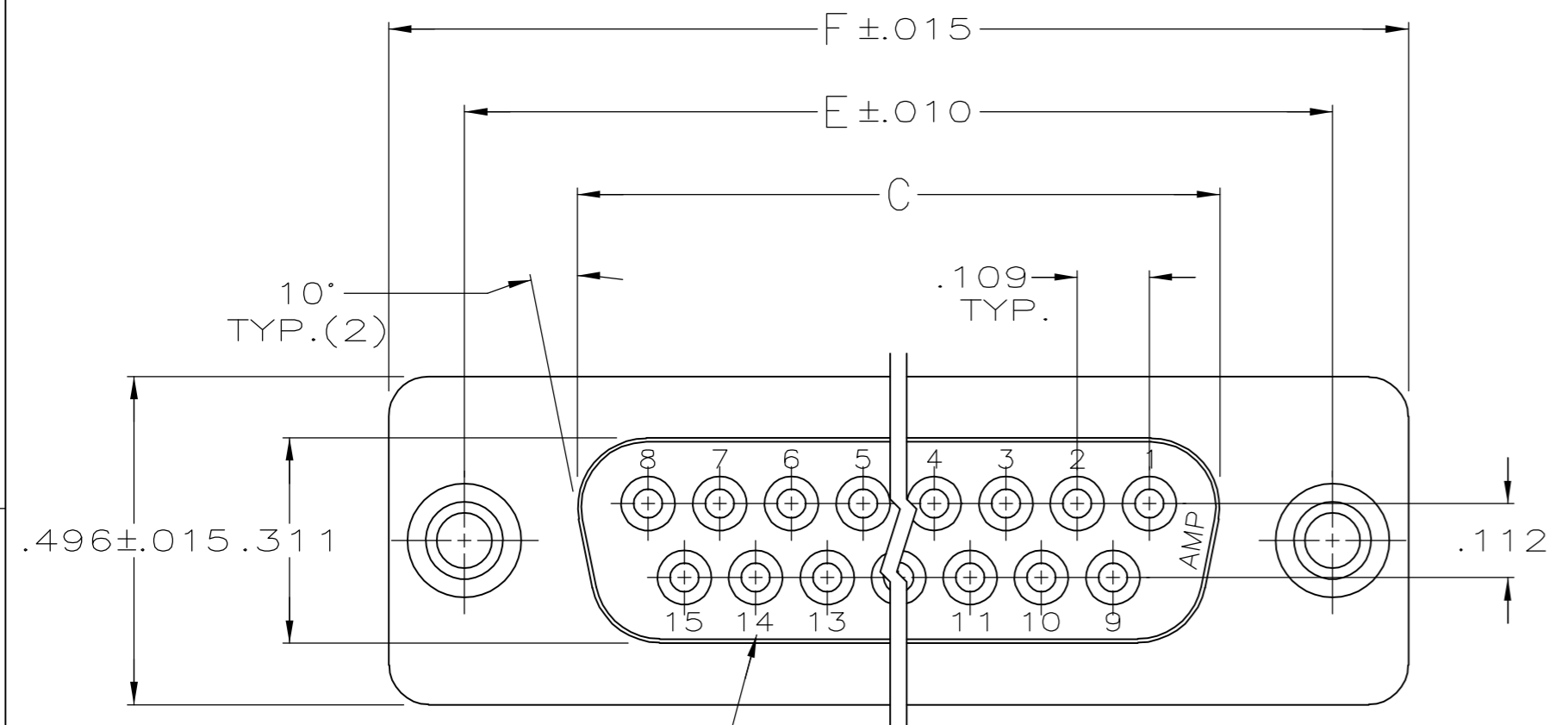


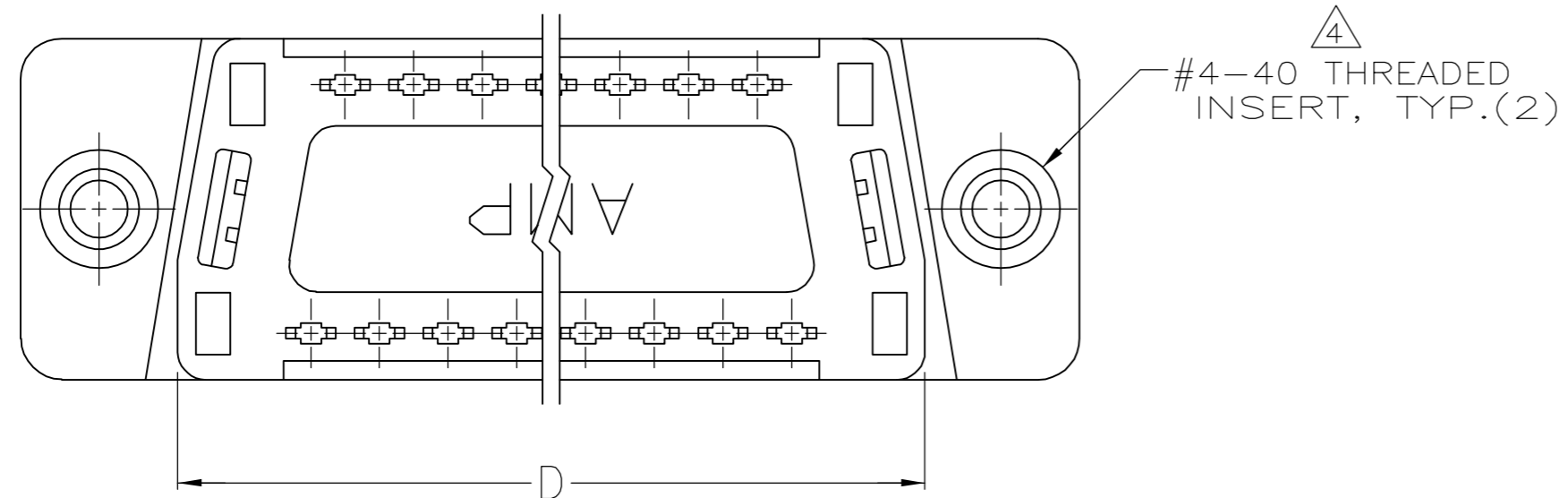
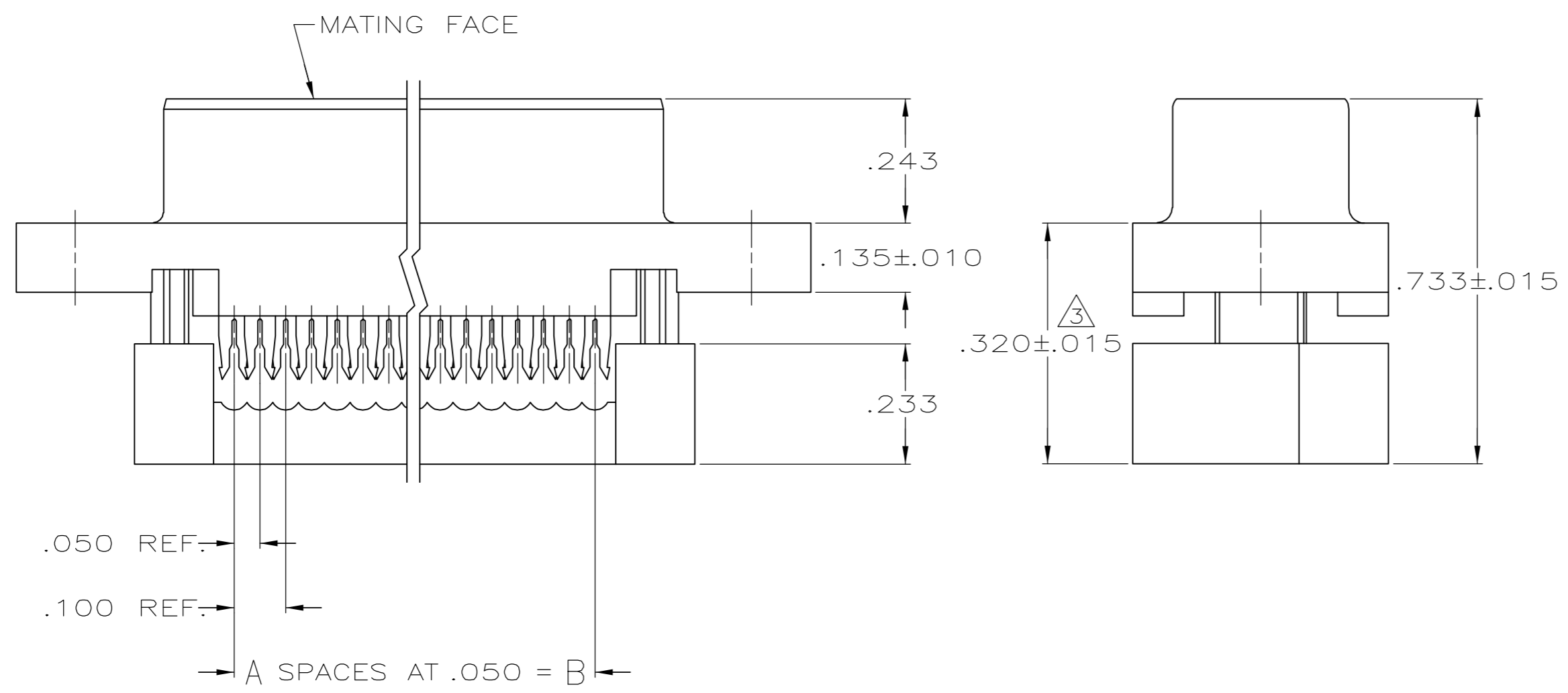
THIS DRAWING IS UNPUBLISHED. RELEASED FOR PUBLICATION
 © COPYRIGHT BY TYCO ELECTRONICS CORPORATION. ALL RIGHTS RESERVED.

LOC	DIST	REVISIONS					
GP	00	P	LTR	DESCRIPTION	DATE	DWN	APVD
		A1		REVISED PER ECO-06-029297	21DEC06	JDP	CWR



- CONNECTORS COMPLY WITH AMP SPEC. 108-40012 AND MATE WITH ANY SAME NUMBER POSITION PLUG CONNECTOR IN AMPLIMITE SERIES.
- CONNECTOR DESIGNED FOR 28 AND 26 AWG STRANDED AND SOLID CONDUCTOR RIBBON CABLE ON .050 ϕ .
- DIMENSION APPLIES TO TERMINATED CONNECTOR.
- INSERTS WILL WITHSTAND 6 IN. LBS. TORQUE AND 50 LBS. PULL OUT FORCE FROM MATING FACE SIDE.
- MOLDED PARTS: FLAME RETARDANT 94V-0 RATED THERMOPLASTIC; COLOR: BLACK.
- PHOS. BRONZE PER QQ-B-750.
- BRASS PER MIL-C-50.
- GOLD PLATING PER MIL-G-45204, TIN PLATING PER MIL-T-10727, NICKEL PLATING PER QQ-N-290.
- PLATED WITH .000030 GOLD IN LOCALIZED GOLD PLATE AREA, .000100- .000200 MATTE TIN ON TERMINATION END, ALL OVER .000050 NICKEL ON ENTIRE CONTACT.

.496 \pm .015 .311 .112
 10° TYP.(2)
 .109 TYP.
 DEPRESSED CAVITY IDENTIFICATION (15 POSITION SHOWN)



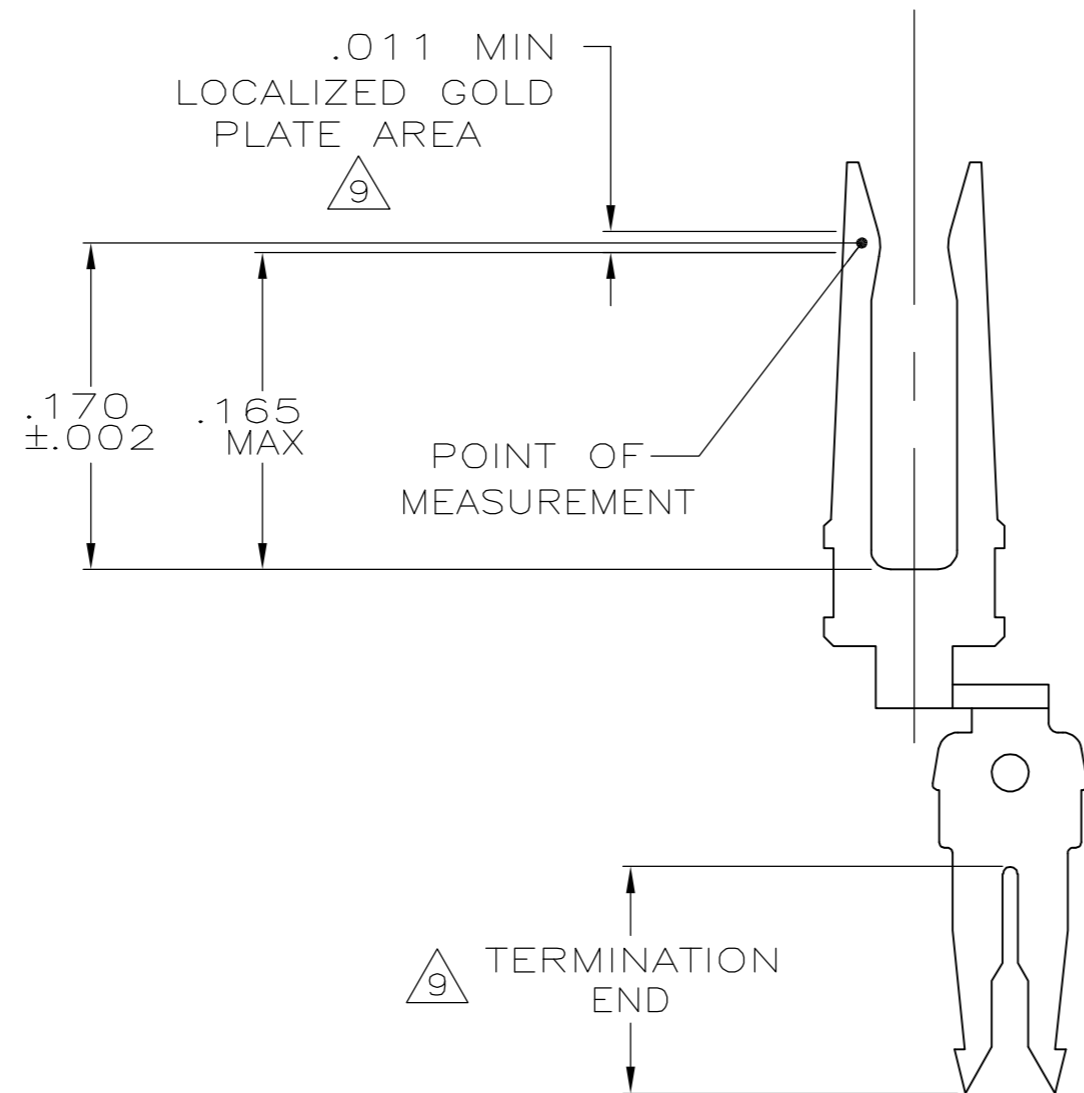
1.216	.984	.759	.643	.400	8	9	1658609-4
1.541	1.312	1.087	.971	.700	14	15	1658609-3
2.090	1.852	1.623	1.511	1.200	24	25	1658609-2
2.732	2.500	2.275	2.591	1.800	36	37	1658609-1
F	E	D	C	B	A	NO.OF POS.	PART NUMBER

THIS DRAWING IS A CONTROLLED DOCUMENT.

DIMENSIONS: INCHES	TOLERANCES UNLESS OTHERWISE SPECIFIED:	DWN B. MCMASTER 30MAR04	Tyco Electronics Corporation Harrisburg, PA 17105-3608					
	0 PLC ± -	CHK C. ROHDE 30MAR04						
	1 PLC ± -	APVD M. WALMSLEY 30MAR04						
	2 PLC ± -	NAME						
	3 PLC ± .005	PRODUCT SPEC						
4 PLC ± -	APPLICATION SPEC	SIZE	CAGE CODE	DRAWING NO	RESTRICTED TO			
ANGLES ± 2°	FINISH	WEIGHT	A2	00779	C=1658609			
MATERIAL	MOLDED PARTS: Δ	CONTACTS: Δ	CUSTOMER DRAWING			SCALE 4:1	SHEET 1 of 2	REV A1
	CONTACTS: Δ	INSERTS: UNPLATED						

THIS DRAWING IS UNPUBLISHED. RELEASED FOR PUBLICATION
 © COPYRIGHT BY TYCO ELECTRONICS CORPORATION. ALL RIGHTS RESERVED.

LOC	DIST	REVISIONS			
P	LTR	DESCRIPTION	DATE	DWN	APVD
GP	00	SEE SHEET 1	-	-	-



CONTACT DETAIL
SCALE 10:1

THIS DRAWING IS A CONTROLLED DOCUMENT.		DWN B. MCMASTER 30MAR04	Tyco Electronics Corporation Harrisburg, PA 17105-3608		
DIMENSIONS: INCHES		CHK C. ROHDE 30MAR04			
		APVD M. WALMSLEY 30MAR04	NAME RECEPTACLE ASSEMBLY, THREADED INSERTS, LEAD-FREE, AMPLIMITE HDF		
TOLERANCES UNLESS OTHERWISE SPECIFIED:		PRODUCT SPEC	SIZE A2	CAGE CODE 00779	DRAWING NO C=1658609
0 PLC ± -		APPLICATION SPEC	RESTRICTED TO		
1 PLC ± -		WEIGHT	-		
2 PLC ± -		CUSTOMER DRAWING			
3 PLC ± .005		SCALE	4:1	SHEET	2 of 2
4 PLC ± -		REV	A1		
ANGLES ± 2°					
MATERIAL SEE SHEET 1	FINISH SEE SHEET 1				